

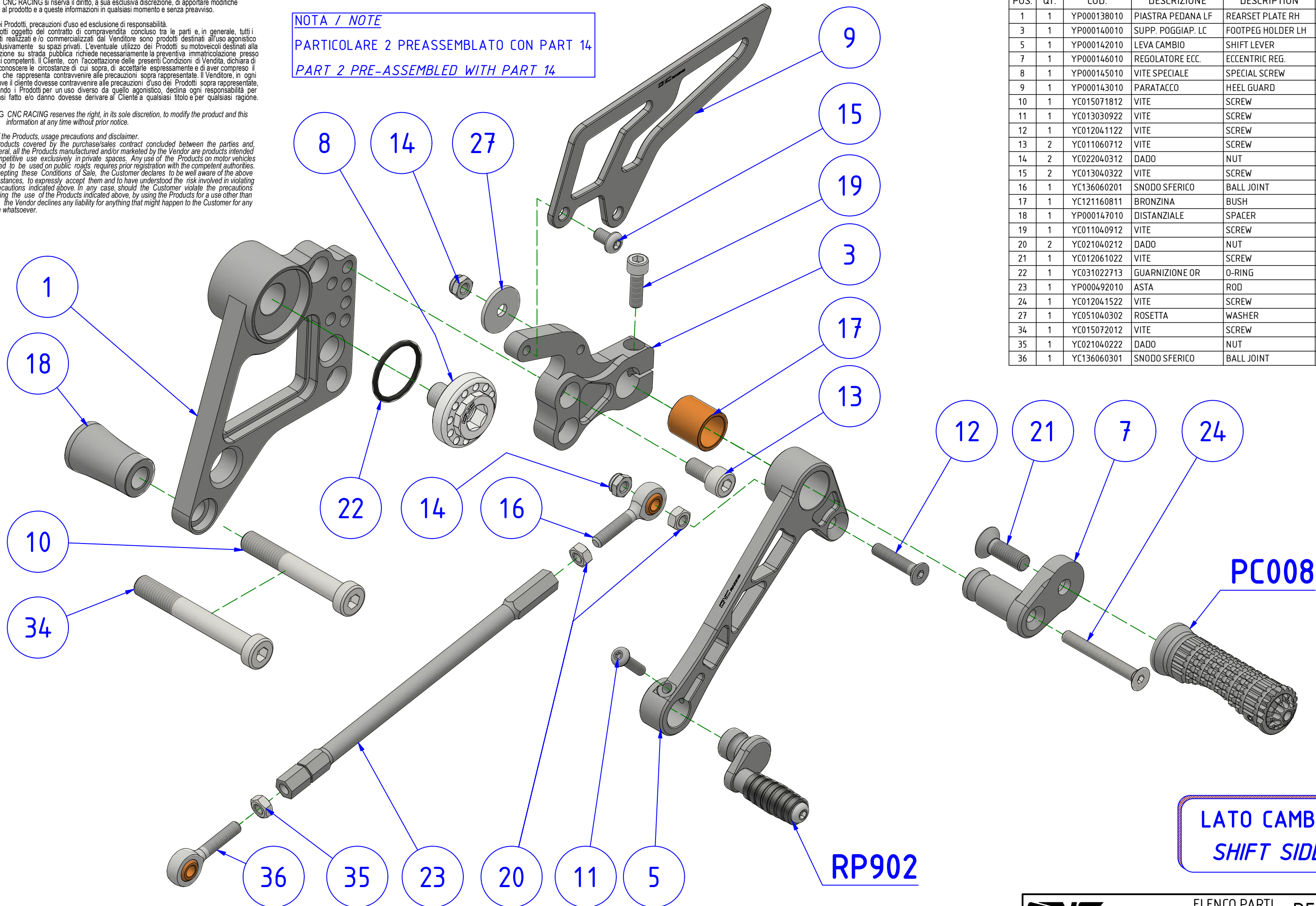
● ITA CNC RACING si riserva il diritto, a sua esclusiva discrezione, di apportare modifiche al prodotto e a queste informazioni in qualsiasi momento e senza preavviso.

Use of the Products, precautions of use and exclusion of responsibility.
 I Prodotti oggetto del contratto di compravendita concluso tra le parti e, in generale, tutti i Prodotti realizzati e/o commercializzati dal Venditore sono prodotti destinati all'uso agonistico ed esclusivamente su spazi privati. L'eventuale utilizzo dei Prodotti su motoveicoli destinati alla circolazione su strada pubblica richiede necessariamente la preventiva immatricolazione presso gli uffici competenti. Il Cliente, con l'accettazione delle presenti Condizioni di Vendita, dichiara di bene conoscere le circostanze di cui sopra, di accettarle espressamente e di aver compreso il rischio che rappresenta contravvenire alle precauzioni sopra rappresentate. Il Venditore, in ogni caso, ove il cliente dovesse contravvenire alle precauzioni d'uso dei Prodotti sopra rappresentate, utilizzando i Prodotti per un uso diverso da quello agonistico, declina ogni responsabilità per qualsiasi fatto e/o danno dovesse derivare al Cliente a qualsiasi titolo e per qualsiasi ragione.

● ENG CNC RACING reserves the right, in its sole discretion, to modify the product and this information at any time without prior notice.

Use of the Products, usage precautions and disclaimer.
 The Products covered by the purchase/sales contract concluded between the parties and, in general, all the Products manufactured and/or marketed by the Vendor are products intended for competitive use exclusively in private spaces. Any use of the Products on motor vehicles intended to be used on public roads requires prior registration with the competent authorities. By accepting these Conditions of Sale, the Customer declares to be well aware of the above circumstances, to expressly accept them and to have understood the risk involved in violating the precautions indicated above. In any case, should the Customer violate the precautions regarding the use of the Products indicated above, by using the Products for a use other than racing, the Vendor declines any liability for anything that might happen to the Customer for any reason whatsoever.

NOTA / NOTE
PARTICOLARE 2 PREASSEMBLATO CON PART 14
PART 2 PRE-ASSEMBLED WITH PART 14



POS.	QT.	COD.	DESCRIZIONE	DESCRIPTION	DIMEN.
1	1	YP000138010	PIASTRA PEDANA LF	REARSET PLATE RH	
3	1	YP000140010	SUPP. POGGIAP. LC	FOOTPEG HOLDER LH	
5	1	YP000142010	LEVA CAMBIO	SHIFT LEVER	
7	1	YP000146010	REGOLATORE ECC.	ECCENTRIC REG.	
8	1	YP000145010	VITE SPECIALE	SPECIAL SCREW	M12x1.25
9	1	YP000143010	PARATACCO	HEEL GUARD	
10	1	YC015071812	VITE	SCREW	M10x6.5
11	1	YC013030922	VITE	SCREW	M5x20
12	1	YC012041122	VITE	SCREW	M6x30
13	2	YC011060712	VITE	SCREW	M8x16
14	2	YC022040312	DADO	NUT	M6
15	2	YC013040322	VITE	SCREW	M6x10
16	1	YC136060201	SNODO SFERICO	BALL JOINT	
17	1	YC121160811	BRONZINA	BUSH	
18	1	YP000147010	DISTANZIALE	SPACER	
19	1	YC011040912	VITE	SCREW	M6x20
20	2	YC021040212	DADO	NUT	M6
21	1	YC012061022	VITE	SCREW	M8x25
22	1	YC031022713	GUARNIZIONE OR	O-RING	
23	1	YP000492010	ASTA	ROD	
24	1	YC012041522	VITE	SCREW	M6x50
27	1	YC051040302	ROSETTA	WASHER	
34	1	YC015072012	VITE	SCREW	M10x7.5
35	1	YC021040222	DADO	NUT	M6 SX
36	1	YC136060301	SNODO SFERICO	BALL JOINT	

LATO CAMBIO
SHIFT SIDE

● ITA CNC RACING si riserva il diritto, a sua esclusiva discrezione, di apportare modifiche al prodotto e a queste informazioni in qualsiasi momento e senza preavviso.

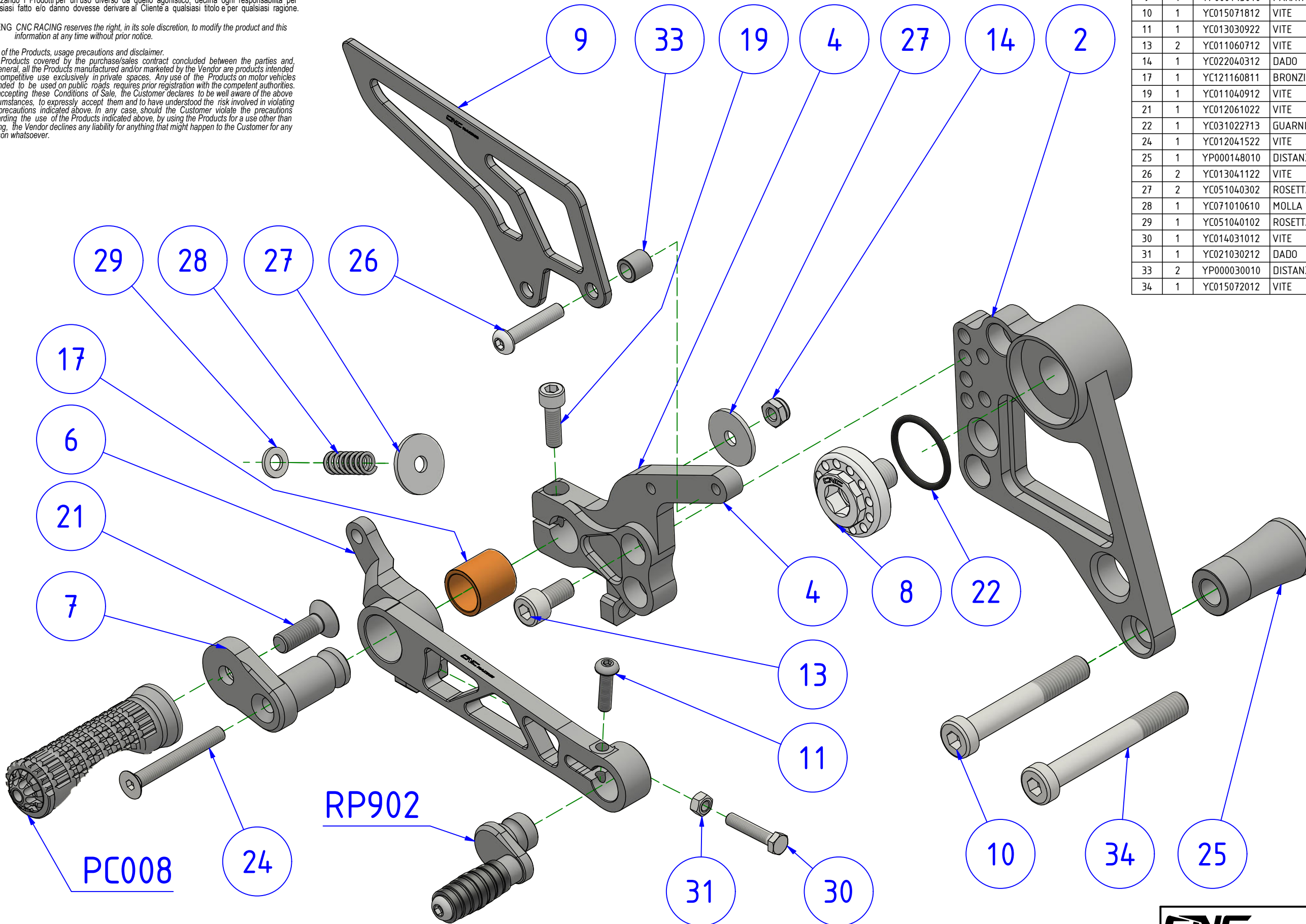
Use of the Products, precautions and disclaimer.
 The Products covered by the purchase/sales contract concluded between the parties and, in general, all the Products manufactured and/or marketed by the Vendor are products intended for competitive use exclusively in private spaces. Any use of the Products on motor vehicles intended to be used on public roads requires prior registration with the competent authorities. By accepting these Conditions of Sale, the Customer declares to be well aware of the above circumstances, to expressly accept them and to have understood the risk involved in violating the precautions indicated above. In any case, should the Customer violate the precautions regarding the use of the Products indicated above, by using the Products for a use other than racing, the Vendor declines any liability for anything that might happen to the Customer for any reason whatsoever.

● ENG CNC RACING reserves the right, in its sole discretion, to modify the product and this information at any time without prior notice.

Use of the Products, usage precautions and disclaimer.
 The Products covered by the purchase/sales contract concluded between the parties and, in general, all the Products manufactured and/or marketed by the Vendor are products intended for competitive use exclusively in private spaces. Any use of the Products on motor vehicles intended to be used on public roads requires prior registration with the competent authorities. By accepting these Conditions of Sale, the Customer declares to be well aware of the above circumstances, to expressly accept them and to have understood the risk involved in violating the precautions indicated above. In any case, should the Customer violate the precautions regarding the use of the Products indicated above, by using the Products for a use other than racing, the Vendor declines any liability for anything that might happen to the Customer for any reason whatsoever.

NOTA / NOTE
 PARTICOLARE 2 PREASSEMBLATO CON PART 40
 PART 2 PRE-ASSEMBLED WITH PART 40

POS.	QT.	COD.	DESCRIZIONE	DESCRIPTION	DIMEN.
2	1	YP000137010	PIASTRA PEDANA LC	REARSET PLATE LH	
4	1	YP000139010	SUPP. POGG. LF	FOOTPEG HOLDER RH	
6	1	YP000141010	LEVA FRENO	BRAKE LEVER	
7	1	YP000146010	REGOLATORE ECC.	ECCENTRIC REG.	
8	1	YP000145010	VITE SPECIALE	SPECIAL SCREW	M12x1.25
9	1	YP000143010	PARATACCO	HEEL GUARD	
10	1	YC015071812	VITE	SCREW	M10x65
11	1	YC013030922	VITE	SCREW	M5x20
13	2	YC011060712	VITE	SCREW	M8x16
14	1	YC022040312	DADO	NUT	M6
17	1	YC121160811	BRONZINA	BUSH	
19	1	YC011040912	VITE	SCREW	M6x20
21	1	YC012061022	VITE	SCREW	M8x25
22	1	YC031022713	GUARNIZIONE OR	O-RING	
24	1	YC012041522	VITE	SCREW	M6x50
25	1	YP000148010	DISTANZIALE	SPACER	
26	2	YC013041122	VITE	SCREW	M6x30
27	2	YC051040302	ROSETTA	WASHER	
28	1	YC071010610	MOLLA	SPRING	
29	1	YC051040102	ROSETTA	WASHER	
30	1	YC014031012	VITE	SCREW	M5x25
31	1	YC021030212	DADO	NUT	M5
33	2	YP000030010	DISTANZIALE	SPACER	6.5X10 - H10
34	1	YC015072012	VITE	SCREW	M10x75



LATO FRENO
 BRAKE SIDE