



- ITA CNC RACING si riserva il diritto, a sua esclusiva discrezione, di apportare modifiche al prodotto e a queste informazioni in qualsiasi momento e senza preavviso.

Uso dei Prodotti, precauzioni d'uso ed esclusioni di responsabilità.

I Prodotti oggetto del contratto di compravendita concluso tra le parti e, in generale, tutti i Prodotti realizzati e /o commercializzati dal Venditore sono prodotti destinati all'uso agonistico ed esclusivamente su spazi privati. L'eventuale utilizzo dei Prodotti su motoveicoli destinati alla circolazione su strada pubblica richiede necessariamente la preventiva immatricolazione presso gli uffici competenti. Il Cliente, con l'accettazione delle presenti Condizioni di Vendita, dichiara di bene conoscere le circostanze di cui sopra, di accettarle espressamente e di aver compreso il rischio che rappresenta contravenire alle precauzioni sopra rappresentate. Il Venditore, in ogni caso, ove il cliente dovesse contravenire alle precauzioni d'uso dei Prodotti sopra rappresentate, utilizzando i Prodotti per un uso diverso da quello agonistico, declina ogni responsabilità per qualsiasi fatto e/o danno dovesse derivare al Cliente a qualsiasi titolo e per qualsiasi ragione.

- ENG CNC RACING reserves the right, in its sole discretion, to modify the product and this information at any time without prior notice.

Use of the Products, usage precautions and disclaimer.

The Products covered by the purchase/sales contract concluded between the parties and, in general, all the Products manufactured and/or marketed by the Vendor are products intended for competitive use exclusively in private spaces. Any use of the Products on motor vehicles intended to be used on public roads requires prior registration with the competent authorities. By accepting these Conditions of Sale, the Customer declares to be well aware of the above circumstances, to expressly accept them and to have understood the risk involved in violating the precautions indicated above. In any case, should the Customer violate the precautions regarding the use of the Products indicated above, by using the Products for a use other than racing, the Vendor declines any liability for anything that might happen to the Customer for any reason whatsoever.

MANUTENZIONE E PULIZIA: AVVERTENZA - MAINTENANCE AND CLEANING: WARNING

PARTI ANODIZZATE E/O LEXAN: NON USARE sgrassatori a base acida o alcalina. Usare saponi neutri. Lavare a moto fredda, mai calda. No idropulitrice.

ANODIZED AND/OR LEXAN PARTS: DO NOT USE acid or alkaline based degreasers. Use neutral soaps. Wash on a cold bike, never hot. No pressure washer.

Il montaggio del prodotto deve essere eseguito da personale specializzato. - The mounting of the product it must be realized from skilled personnel.

- ITA CNC RACING si riserva il diritto, a sua esclusiva discrezione, di apportare modifiche al prodotto e a queste informazioni in qualsiasi momento e senza preavviso.

Use of the Products, usage precautions and disclaimer.

The Products covered by the purchase/sales contract concluded between the parties and, in general, all the Products manufactured and/or marketed by the Vendor are products intended for competitive use exclusively in private spaces. Any use of the Products on motor vehicles intended to be used on public roads requires prior registration with the competent authorities. By accepting these Conditions of Sale, the Customer declares to be well aware of the above circumstances, to expressly accept them and to have understood the risk involved in violating the precautions indicated above. In any case, should the Customer violate the precautions regarding the use of the Products indicated above, by using the Products for a use other than racing, the Vendor declines any liability for anything that might happen to the Customer for any reason whatsoever.

- ENG CNC RACING reserves the right, in its sole discretion, to modify the product and this information at any time without prior notice.

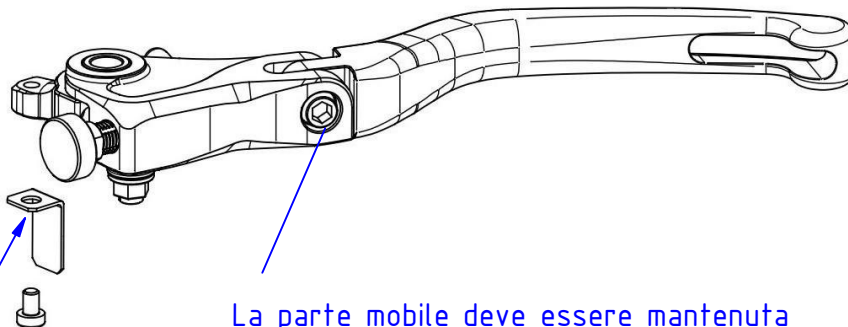
Use of the Products, usage precautions and disclaimer.

The Products covered by the purchase/sales contract concluded between the parties and, in general, all the Products manufactured and/or marketed by the Vendor are products intended for competitive use exclusively in private spaces. Any use of the Products on motor vehicles intended to be used on public roads requires prior registration with the competent authorities. By accepting these Conditions of Sale, the Customer declares to be well aware of the above circumstances, to expressly accept them and to have understood the risk involved in violating the precautions indicated above. In any case, should the Customer violate the precautions regarding the use of the Products indicated above, by using the Products for a use other than racing, the Vendor declines any liability for anything that might happen to the Customer for any reason whatsoever.

ATTENZIONE / CAUTION

Controllare dopo il montaggio e dopo ogni utilizzo che la ruota non rimanga frenata

After fitting and after each use must check that the wheel does not remain braked



REGOLARE LO SPINTORE E SERRARE
LA VITE CON FRENAFILETTI MEDIO

*ADJUST THE PUSHER AND TIGHTEN
THE SCREW WITH MEDIUM THERADLOCKER*

La parte mobile deve essere mantenuta
in posizione serrando fortemente la vite.

The mobile part must be kept in position
tightening the screw tightly

CNC RACING

LCR**