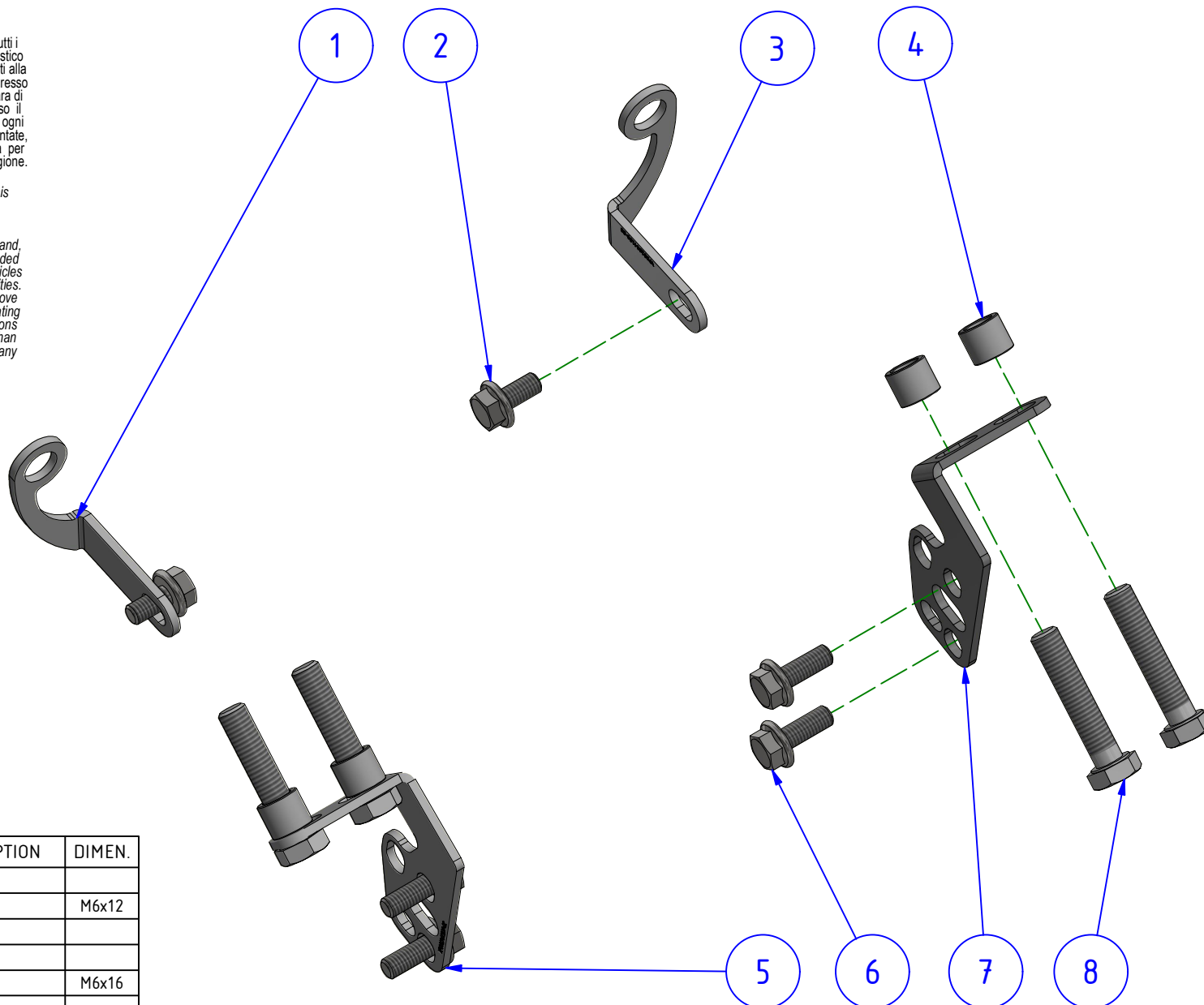


● ITA CNC RACING si riserva il diritto, a sua esclusiva discrezione, di apportare modifiche al prodotto e a queste informazioni in qualsiasi momento e senza preavviso.

Use of the Products, precautions of use and exclusion of responsibility.
 The Products covered by the purchase/sales contract concluded between the parties and in general, all the Products manufactured and/or marketed by the Vendor are products intended for competitive use exclusively in private spaces. Any use of the Products on motor vehicles intended to be used on public roads requires prior registration with the competent authorities. By accepting these Conditions of Sale, the Customer declares to be well aware of the above circumstances, to expressly accept them and to have understood the risk involved in violating the precautions indicated above. In any case, should the Customer violate the precautions regarding the use of the Products indicated above, by using the Products for a use other than racing, the Vendor declines any liability for anything that might happen to the Customer for any reason whatsoever.

● ENG CNC RACING reserves the right, in its sole discretion, to modify the product and this information at any time without prior notice.

Use of the Products, usage precautions and disclaimer.
 The Products covered by the purchase/sales contract concluded between the parties and in general, all the Products manufactured and/or marketed by the Vendor are products intended for competitive use exclusively in private spaces. Any use of the Products on motor vehicles intended to be used on public roads requires prior registration with the competent authorities. By accepting these Conditions of Sale, the Customer declares to be well aware of the above circumstances, to expressly accept them and to have understood the risk involved in violating the precautions indicated above. In any case, should the Customer violate the precautions regarding the use of the Products indicated above, by using the Products for a use other than racing, the Vendor declines any liability for anything that might happen to the Customer for any reason whatsoever.



POS.	QT.	COD.	DESCRIZIONE	DESCRIPTION	DIMEN.
1	1	YP001663100	STAFFA	BRACKET	
2	2	YC01D040467	VITE	SCREW	M6x12
4	4	YP000537010	DISTANZIALE	SPACER	
5	1	YP001342100	STAFFA	BRACKET	
6	4	YC01D040767	VITE	SCREW	M6x16
7	1	YP001343100	STAFFA	BRACKET	
8	4	YC014061312	VITE	SCREW	M8 x 40
3	1	YP001664100	STAFFA	BRACKET	

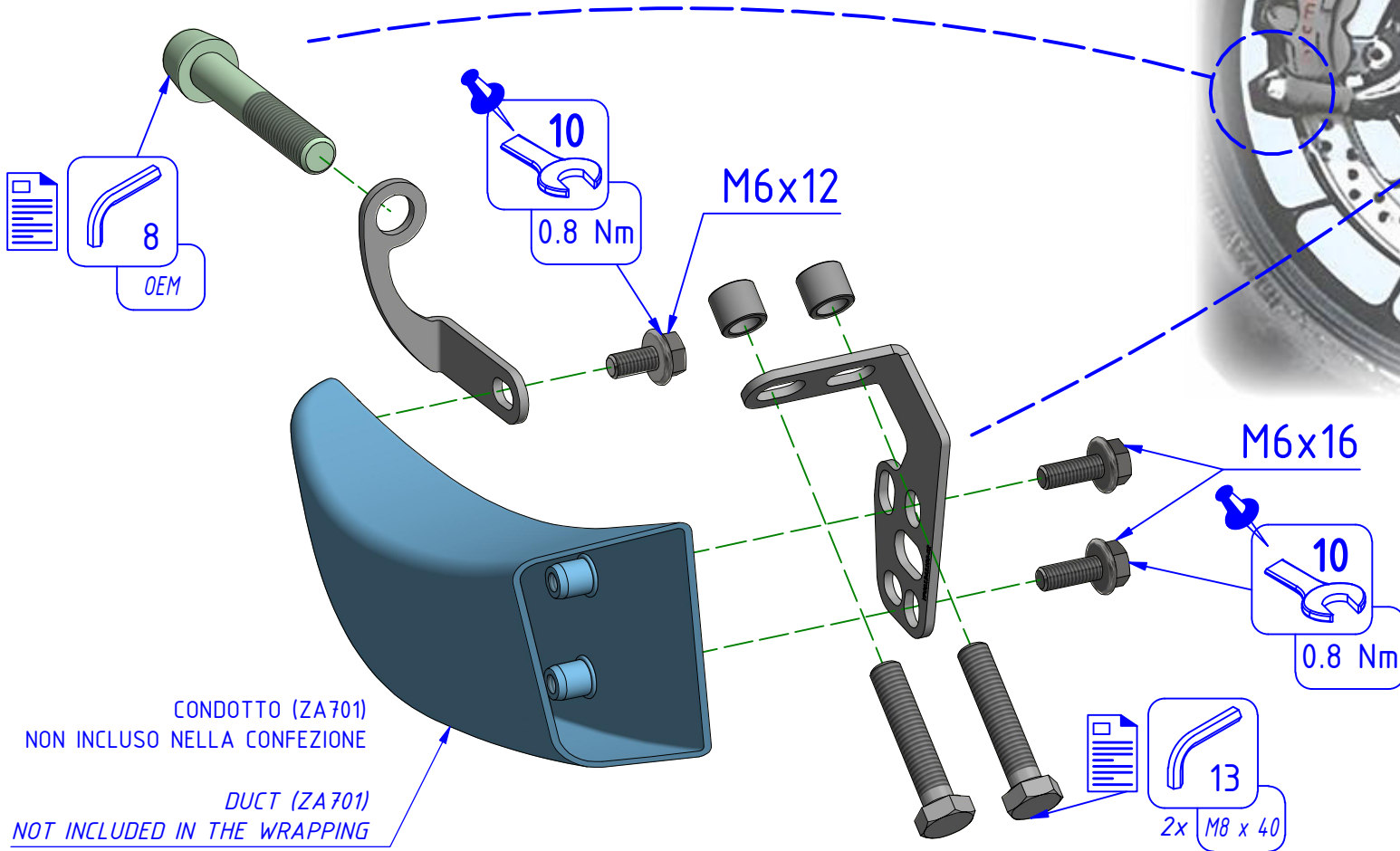
LEGENDA / LEGEND

OEM

Parte della dotazione originale
Original equipment manufacturer's part



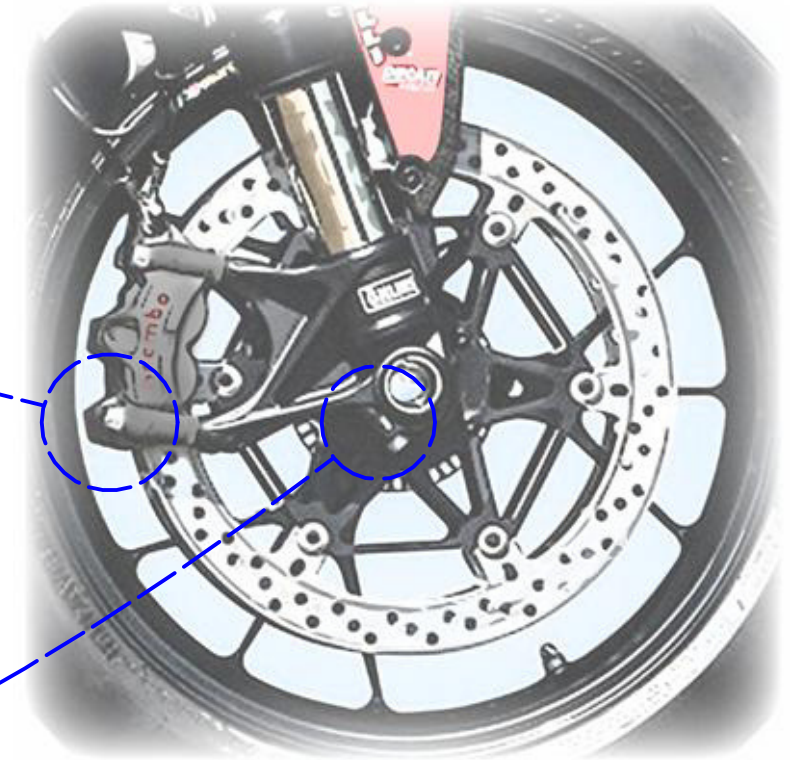
Si suggerisce un eventuale impiego di frenafili leggero
The use of a light thread locker is recommended



CONDOTTO (ZA701)
NON INCLUSO NELLA CONFEZIONE

DUCT (ZA701)
NOT INCLUDED IN THE WRAPPING

VALIDO PER ENTRAMBI I LATI
VALID FOR BOTH SIDES



LATO DESTRO
RIGHT SIDE



INSTALLARE SECONDO PRESCRIZIONI DEL COSTRUTTORE
INSTALL ACCORDING TO THE MANUFACTURER REQUIREMENTS

CNC RACING

ISTRUZIONI
INSTRUCTIONS

ZAB24

MANUTENZIONE E PULIZIA: AVVERTENZA - MAINTENANCE AND CLEANING: WARNING

PARTI ANODIZZATE e/o LEXAN: NON USARE sgrassatori a base acida o alcalina. Usare saponi neutri. Lavare a moto fredda, mai calda. No idropulitrice.
ANODIZED and / or LEXAN PARTS: DO NOT USE acid or alkaline based degreasers. Use neutral soaps. Wash on a cold bike, never hot. No pressure washer.

Rev.00/0