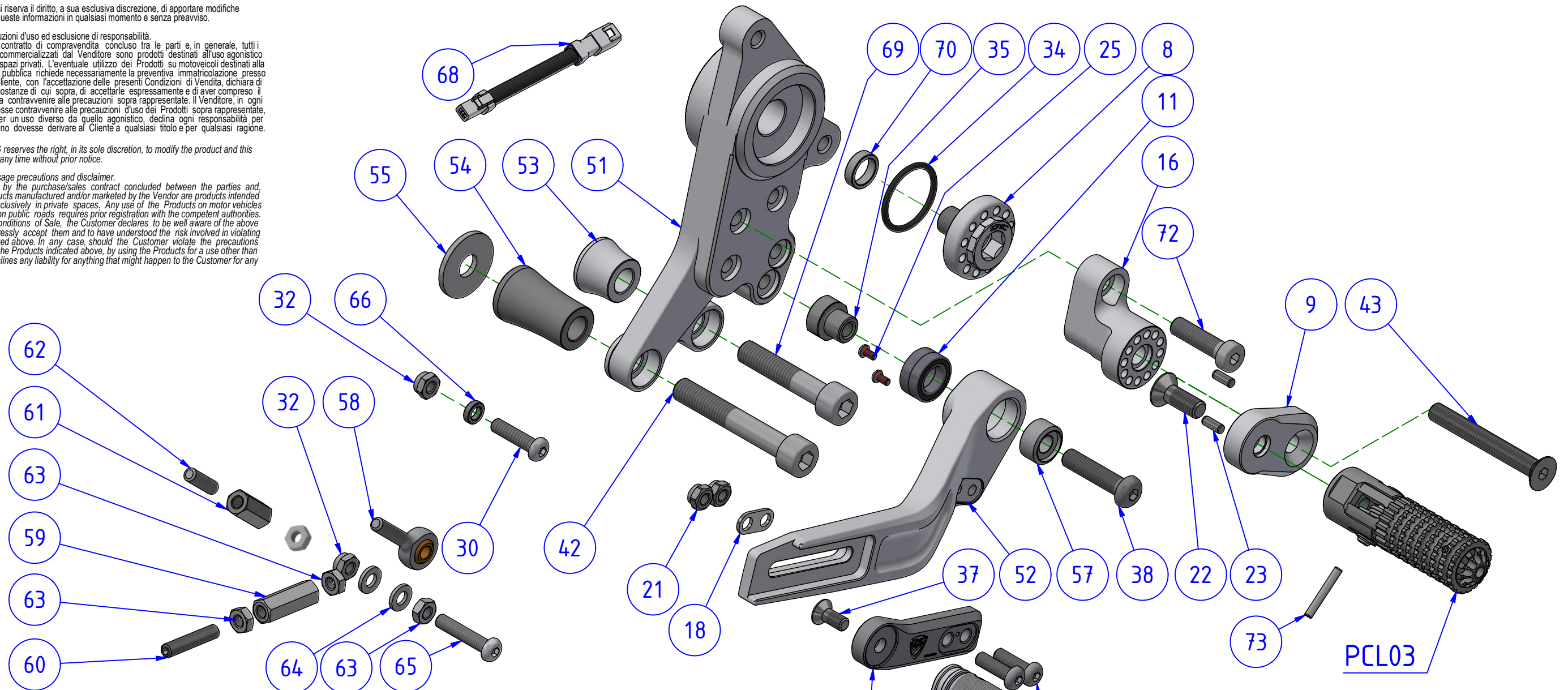


● ITA CNC RACING si riserva il diritto, a sua esclusiva discrezione, di apportare modifiche al prodotto e a queste informazioni in qualsiasi momento e senza preavviso.

Use of the Products, precautions and disclaimer.  
 The Products covered by the purchase/sales contract concluded between the parties and, in general, all the Products manufactured and/or marketed by the Vendor are products intended for competitive use exclusively in private spaces. Any use of the Products on motor vehicles intended to be used on public roads requires prior registration with the competent authorities. By accepting these Conditions of Sale, the Customer declares to be well aware of the above circumstances, to expressly accept them and to have understood the risk involved in violating the precautions indicated above. In any case, should the Customer violate the precautions regarding the use of the Products indicated above, by using the Products for a use other than racing, the Vendor declines any liability for anything that might happen to the Customer for any reason whatsoever.

● ENG CNC RACING reserves the right, in its sole discretion, to modify the product and this information at any time without prior notice.

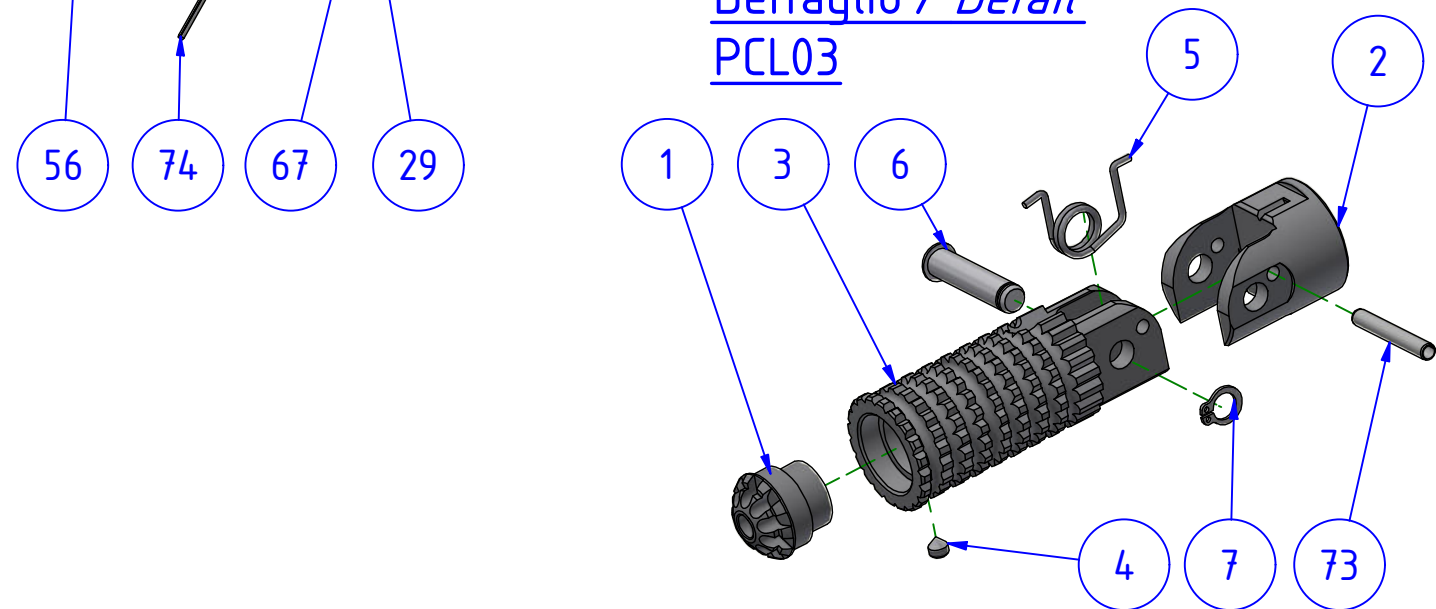
Use of the Products, usage precautions and disclaimer.  
 The Products covered by the purchase/sales contract concluded between the parties and, in general, all the Products manufactured and/or marketed by the Vendor are products intended for competitive use exclusively in private spaces. Any use of the Products on motor vehicles intended to be used on public roads requires prior registration with the competent authorities. By accepting these Conditions of Sale, the Customer declares to be well aware of the above circumstances, to expressly accept them and to have understood the risk involved in violating the precautions indicated above. In any case, should the Customer violate the precautions regarding the use of the Products indicated above, by using the Products for a use other than racing, the Vendor declines any liability for anything that might happen to the Customer for any reason whatsoever.



POS.	QT.	COD.	DESCRIZIONE	DESCRIPTION	DIMEN.
1	1	YP000527010	TERMINALE	TERMINATION	
2	1	YP000713010	ATTACCO	CONNECTION	
3	1	YP000694010	POGGIAPIEDE	FOOT PEG	
4	1	YC017020246	VITE	SCREW	M4x4
5	1	YC073010311	MOLLA	SPRING	
6	1	YP000506100	PERNO	PIN	
7	1	YC041040120	ANELLO SEEGER	CIRCLIP	6 x 0.70
8	1	YP000145010	VITE SPECIALE	SPECIAL SCREW	M12x1.25
9	1	YP000940010	POSIZIONATORE	POSITIONER	
11	2	YC131618014	CUSCINETTO	BEARING	
16	1	YP001574010	POSIZIONATORE	POSITIONER	
18	1	YP001576040	PIASTRINA	PLATE	
21	2	YC027040012	DADO	NUT	M6
22	1	YC012065122	VITE	SCREW	M8x22
23	2	YC154060640	SPINA	PIN	Ø4x10
25	2	YC01301014W	VITE	SCREW	M3x6
29	2	YC013040922	VITE	SCREW	M6x20
30	1	YC013041022	VITE	SCREW	M6x25
32	2	YC022040312	DADO	NUT	M6
34	1	YC031022713	GUARNIZIONE OR	O-RING	
51	1	YP001571010	PIASTRA PEDANA LC	REARSET PLATE LH	
52	1	YP001573010	LEVA CAMBIO	SHIFT LEVER	
35	1	YP001542070	PERNO SPECIALE	SPECIAL PIN	
53	1	YP001541010	DISTANZIALE	SPACER	
56	1	YP000701010	SLITTA	SLED	

POS.	QT.	COD.	DESCRIZIONE	DESCRIPTION	DIMEN.
54	1	YP000147010	DISTANZIALE	SPACER	
37	1	YC012040522	VITE	SCREW	M6x14
38	1	YC013061222	VITE	SCREW	M8x35
69	1	YC011071512	VITE	SCREW	M10x50
42	1	YC011071812	VITE	SCREW	M10x65
55	1	YC051070212	ROSETTA	WASHER	
58	2	YC136060201	SNODO SFERICO	BALL JOINT	M6
60	1	YC136060301	SNODO SFERICO	BALL JOINT	
59	1	YC024040312	DADO	NUT	
60	1	YC017041355	VITE	GRUB SCREW	M6 x 30
63	3	YC021040312	DADO	NUT	M6-H4mm
64	2	YC051040102	ROSETTA	WASHER	
65	1	YC013041122	VITE	SCREW	M6x30
66	1	YP000252040	DISTANZIALE	SPACER	6x10 - H3
61	1	YC024040212	DADO SPECIALE	SPECIAL NUT	
62	1	YC017041155	VITE	GRUB SCREW	M6x20
68	1	CB005	CONNETTORE SPEC.	SPECIAL CONNECTOR	
43	1	YC012061822	VITE	SCREW	M8x65
57	1	YP001652010	DISTANZIALE	SPACER	
72	1	YC015061112	VITE	SCREW	M8x30
67	1	RP9L4	LEVER PIN LH	PUNTALINO SX	
70	1	YP001690040	DISTANZIALE	SPACER	
73	1	YC153051200	SPINA	PIN	
74	1	YC153021000	SPINA	PIN	

Dettaglio / Detail  
PCL03



## LEGENDA / LEGEND



Bloccare con frenafilletti: L= Leggera - M= Media - S= Forte  
Lock with the threadlocker: L= Light - M= Medium - S= Strong



Lubrificare ✓ / Lubricate ✓  
Non lubrificare ✗ / Do not lubricate ✗  
Solo primi filetti ◆ / First threads only ◆



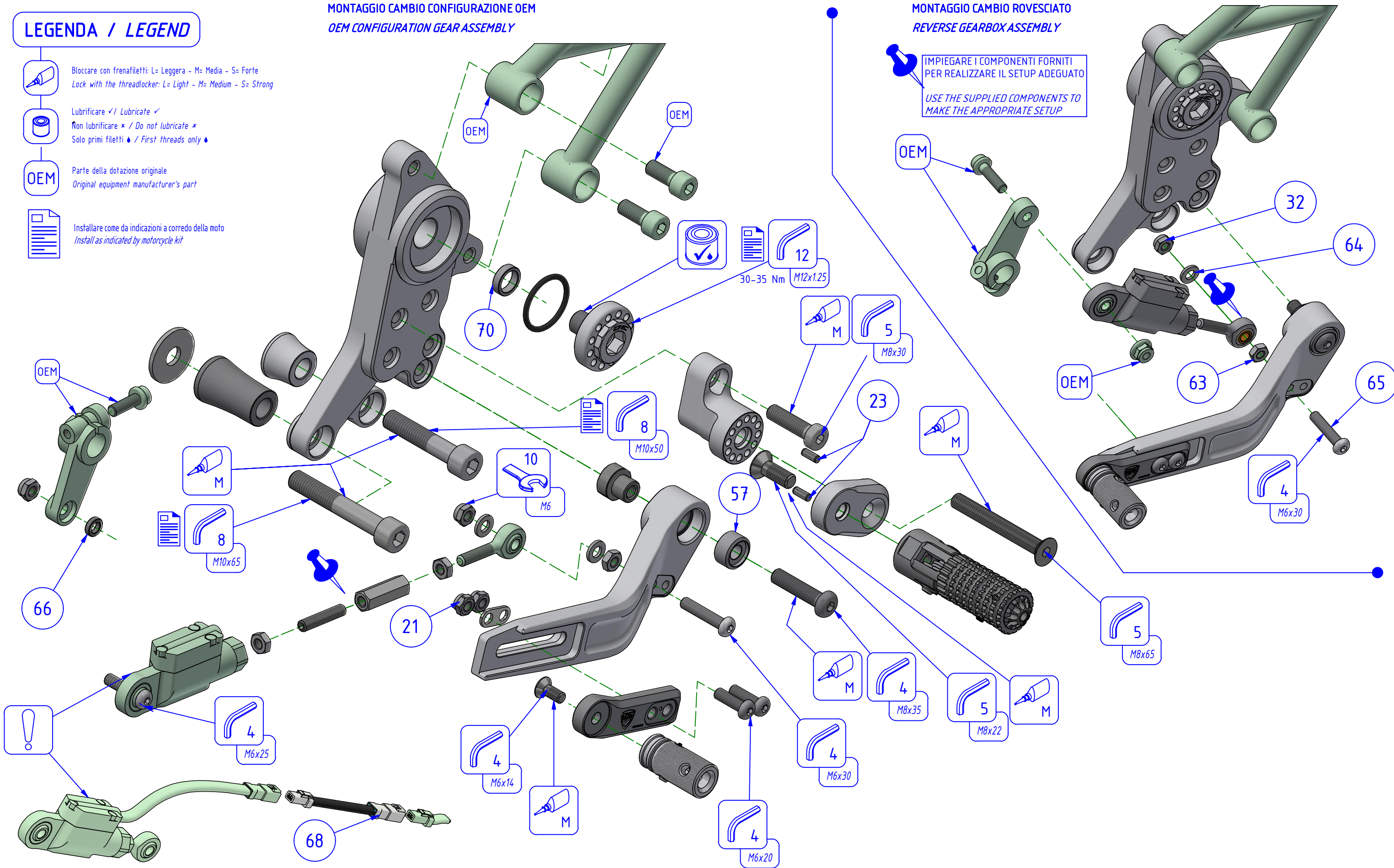
Parte della dotazione originale  
Original equipment manufacturer's part



Installare come da indicazioni a corredo della moto  
Install as indicated by motorcycle kit

### MONTAGGIO CAMBIO CONFIGURAZIONE OEM OEM CONFIGURATION GEAR ASSEMBLY

### MONTAGGIO CAMBIO ROVESCiato REVERSE GEARBOX ASSEMBLY



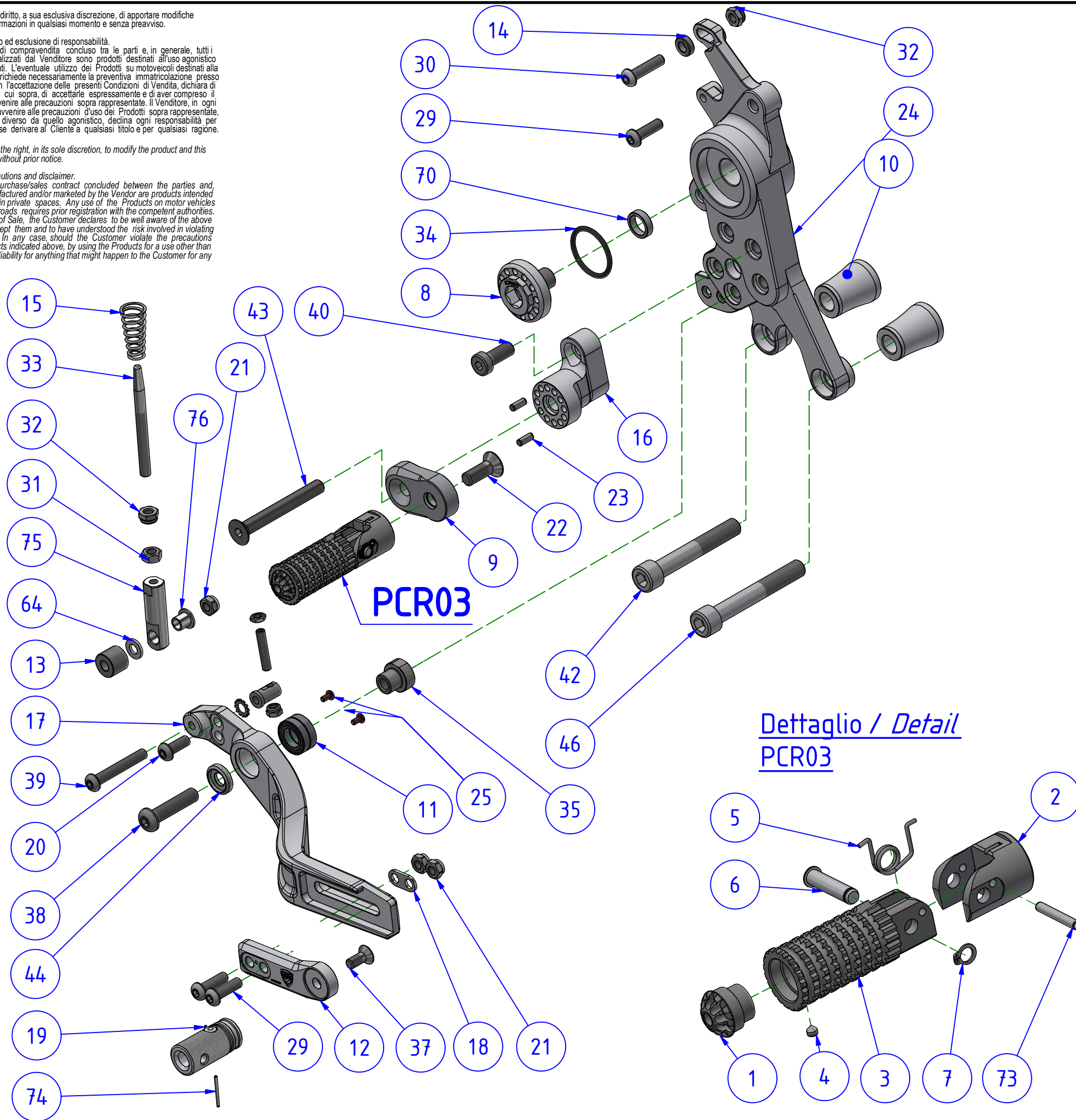
Per il funzionamento in configurazione stradale è necessario impiegare il cavetto incluso (68)  
For operation in road configuration it is necessary to use the included cable (68)

● ITA CNC RACING si riserva il diritto, a sua esclusiva discrezione, di apportare modifiche al prodotto e a queste informazioni in qualsiasi momento e senza preavviso.

Use of the Products, precautions of use and exclusion of responsibility.  
 I Prodotti oggetto del contratto di compravendita concluso tra le parti e, in generale, tutti i Prodotti realizzati e/o commercializzati dal Venditore sono prodotti destinati all'uso agonistico ed esclusivamente su spazi privati. L'eventuale utilizzo dei Prodotti su motoveicoli destinati alla circolazione su strada pubblica richiede necessariamente la preventiva immatricolazione presso gli uffici competenti. Il Cliente, con l'accettazione delle presenti Condizioni di Vendita, dichiara di bene conoscere le circostanze di cui sopra, di accettarle espressamente e di aver compreso il rischio che rappresenta contravenire alle precauzioni sopra rappresentate. Il Venditore, in ogni caso, ove il cliente dovesse contravenire alle precauzioni d'uso dei Prodotti sopra rappresentate, utilizzando i Prodotti per un uso diverso da quello agonistico, declina ogni responsabilità per qualsiasi fatto e/o danno dovesse derivare al Cliente a qualsiasi titolo e per qualsiasi ragione.

● ENG CNC RACING reserves the right, in its sole discretion, to modify the product and this information at any time without prior notice.

Use of the Products, usage precautions and disclaimer.  
 The Products covered by the purchase/sales contract concluded between the parties and, in general, all the Products manufactured and/or marketed by the Vendor are products intended for competitive use exclusively in private spaces. Any use of the Products on motor vehicles intended to be used on public roads requires prior registration with the competent authorities. By accepting these Conditions of Sale, the Customer declares to be well aware of the above circumstances, to expressly accept them and to have understood the risk involved in violating the precautions indicated above. In any case, should the Customer violate the precautions regarding the use of the Products indicated above, by using the Products for a use other than racing, the Vendor declines any liability for anything that might happen to the Customer for any reason whatsoever.



POS.	QT.	COD.	DESCRIZIONE	DESCRIPTION	DIMEN.
1	1	YP000527010	TERMINALE	TERMINATION	
2	1	YP000713010	ATTACCO	CONNECTION	
3	1	YP000694010	POGGIAPIEDE	FOOT PEG	
4	1	YC017020246	VITE	SCREW	M4x4
5	1	YC073010311	MOLLA	SPRING	
6	1	YP000506100	PERNO	PIN	
7	1	YC041040120	ANELLO SEEGER	CIRCLIP	6 x 0.70
8	1	YP000145010	VITE SPECIALE	SPECIAL SCREW	M12x1.25
9	1	YP000940010	POSIZIONATORE	POSITIONER	
10	2	YP000738010	DISTANZIALE	SPACER	
11	2	YC131618014	CUSCINETTO	BEARING	
12	1	YP000700010	SLITTA	SLED	
13	1	YP001241010	DISTANZIALE	SPACER	6x14.5-H12
14	1	YP000834010	DISTANZIALE	SPACER	
15	1	YC074010111	MOLLA	SPRING	
16	1	YP001574010	POSIZIONATORE	POSITIONER	
17	1	YP001572010	LEVA FRENO	BRAKE LEVER	
18	1	YP001576040	PIASTRINA	PLATE	
19	1	RP9R4	PUNTALINO DX	LEVER PIN RH	
20	1	YC013040722	VITE	SCREW	M6 x 16
21	3	YC027040012	DADO	NUT	M6
22	1	YC012065122	VITE	SCREW	M8x22
23	2	YC154060640	SPINA	PIN	Ø4x10
24	1	YP001570010	PIASTRA PEDANA LF	REARSET PLATE RH	
25	2	YC01301014W	VITE	SCREW	M3x6
26	1	YC017031245	VITE	SCREW	M5x25
27	1	YC022030312	DADO	NUT	M5
28	1	YC021030312	DADO	NUT	M5
29	3	YC013040922	VITE	SCREW	M6x20
30	1	YC013041022	VITE	SCREW	M6x25
31	1	YC021040212	DADO	NUT	M6
32	2	YC022040312	DADO	NUT	M6
33	1	YP001361040	ASTA	ROD	
34	1	YC031022713	GUARNIZIONE OR	O-RING	
35	1	YP001542070	PERNO SPECIALE	SPECIAL PIN	
36	1	YP001575070	REGISTRO	REGISTER	
37	1	YC012040522	VITE	SCREW	M6x14
38	1	YC013061222	VITE	SCREW	M8x35
39	1	YC013041322	VITE	SCREW	M6x40
40	1	YC015060912	VITE	SCREW	M8 x 20
42	1	YC011071812	VITE	SCREW	M10x65
43	1	YC012061822	VITE	SCREW	M8x65
44	1	YP001651010	DISTANZIALE	SPACER	
45	1	YC052100111	ROSETTA	WASHER	
46	1	YC011071912	VITE	SCREW	M10x70
64	1	YC051040102	ROSETTA	WASHER	
70	1	YP001690040	DISTANZIALE	SPACER	
73	1	YC153051200	SPINA	PIN	
74	1	YC153021000	SPINA	PIN	
75	1	YP001493040	SUPPORTO	SUPPORT	
76	1	YP001494040	BOCCOLA	BUSH	

